

General Specifications

MODEL MS2W
POT Transmitter
(Dual Outputs)

JUXTA

Model MS2W POT transmitter, plug-in type, receives signal of resistance change of potentiometer and converts it into two isolated DC signals.

- Output-1 can be selected 1~5V DC or 4~20mA DC through change-over switch at the back of the unit.

Input & Output	
Input signal	3 wire potentiometer
Resistance value	Optional in range of 130~2000Ω Input span (resistance change width) is more than 50% of full resistance
Zero elevation	Within 50% of full resistance
External wiring resistance	Less than 1/30 of full resistance (per wire)
Output signal	Isolated 2 outputs Output-1 : 1~5V DC or 4~20mA DC selectable by change-over switch (See Note) Output-2 : 1~5V DC
Zero point adjustment range	0% output at 0~50% of full resistance
Span adjustment range	100% output at 50~100% of full resistance
Standard Performance	
Accuracy rating	±0.25% of span
Response speed	100ms 63% response (10~90%)
Insulation resistance	100MΩ (at 500V DC) between input~Output-1~Output-2~power supply~ground
Withstand voltage	1500V AC/minute between power supply~ground 500V DC/minute between input~output~ground
Ambient temperature	0~55℃
Reference humidity	5~90% RH (no condensation)
Power supply voltage	85~132V AC, 24V DC±10% AC/DC use or 180~264V AC
Effect of power supply voltage fluctuation	100V AC standard ±0.1%/10V of span 24V DC drive ±0.1% max of span
Current dissipation	24V DC drive 110mA
Power dissipation	100V AC drive 4.7VA
Mounting, Shape & Accessories	
Material	Case ABC plastic
Board	Both sides glass epoxy
Mounting method	Wall or DIN rail mounting
Connecting method	M3.5 screw terminals (More than 5mm interval required for access mounting)
External dimension	85(H)x50(W)x132(D)mm (including socket)
Weight	Body : Approx. 250g Socket : Approx. 80g
Accessories	Tag number label 2 Spacer 1 (for DIN rail mounting)

(Note) When shipment, Output-1 of standard type is set at 4~20mA. When Output-1 is changed over to 1~5V DC, influencing value is 0.1% max of span.

MODEL MS2W-□-□*A

INPUT _____
1 : 130~2000Ω

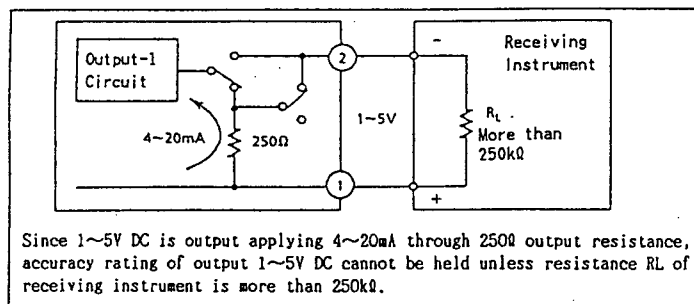
POWER SUPPLY _____
8 : 85~132V AC, 24V DC±10% AC/DC use
9 : 180~264V AC

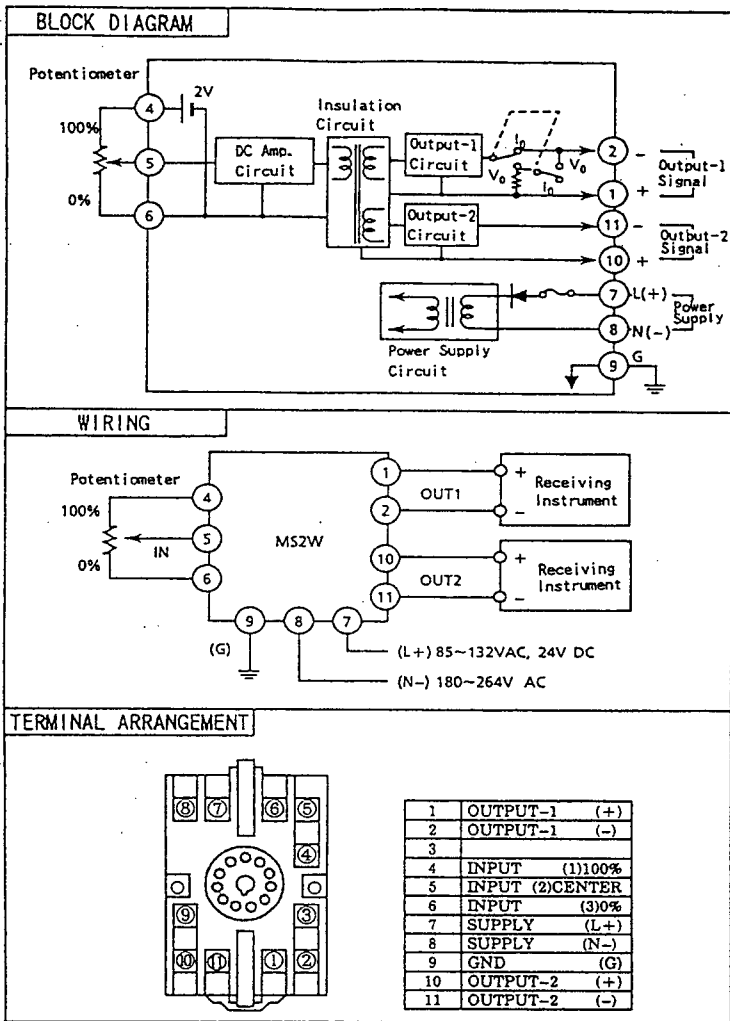
ORDERING INFORMATION
(Example) Type Code : MS2W-1-8*A
Input Range : 0~2000Ω

Output Resistance & Permissible Load Resistance

Output-1		
Output Signal	Output Resistance	Permissible Load Resistance
4~20mA DC	5Ω	0~750Ω
When change-over to 1~5V DC *1	250Ω	More than 250kΩ
Output-2		
Output Signal	Output Resistance	Permissible Load Resistance
1~5V DC	Less than 1Ω	More than 2kΩ

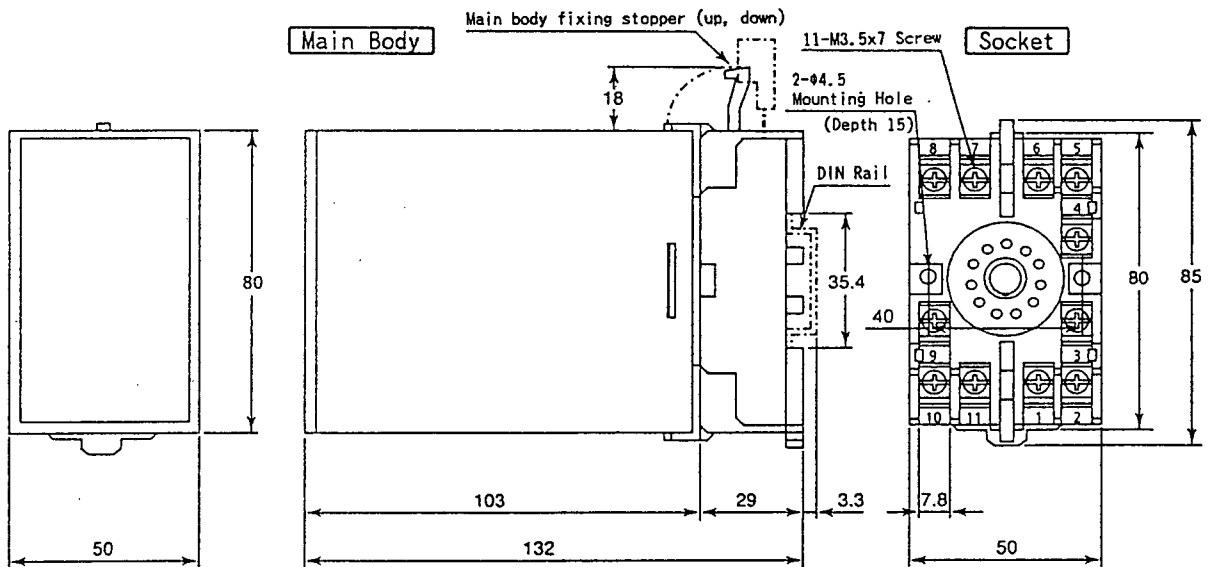
*1 Warning when Output-1 change-over to 1-5V DC





EXTERNAL DIMENSION

Unit : mm



Subject to change without notice for grade up quality and performance